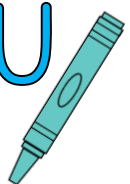


Name: _____

Date: _____

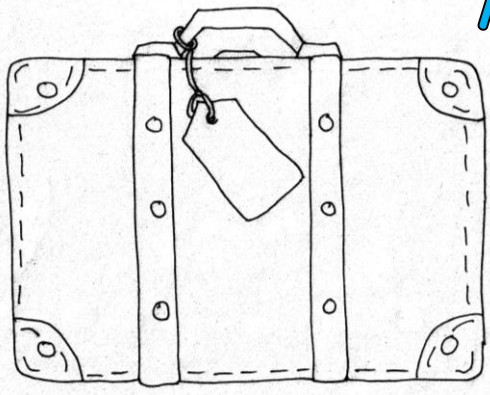
Color Short Vowels blue.

A E I O U



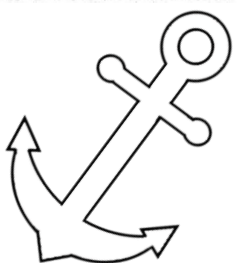
Color NG pink.

N K



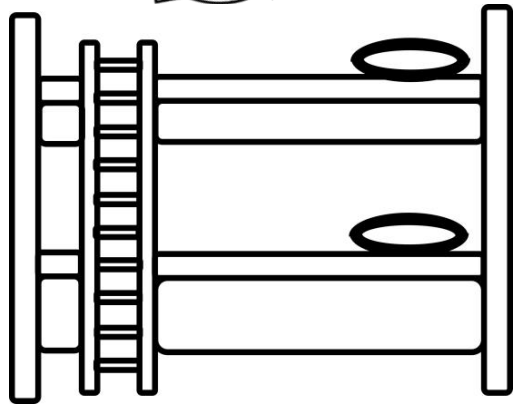
T R U N K

t r u n k



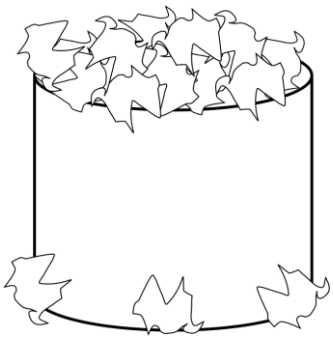
S U N K

s u n k



B U N K

b u n k



J U N K

j u n k



D U N K

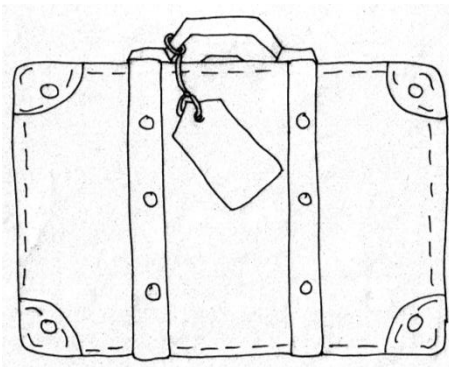
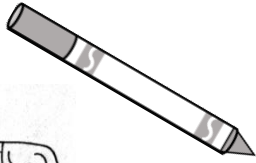
d u n k

U N K

Name: _____

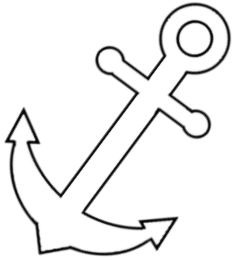
Date: _____

Trace the words.



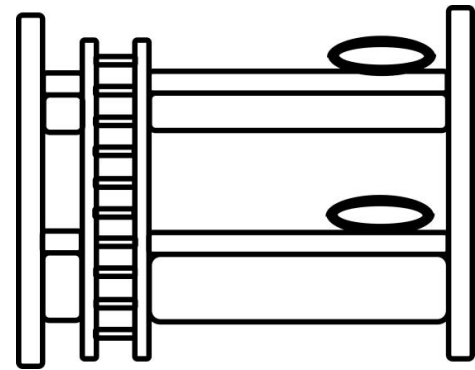
TRUNK

trunk



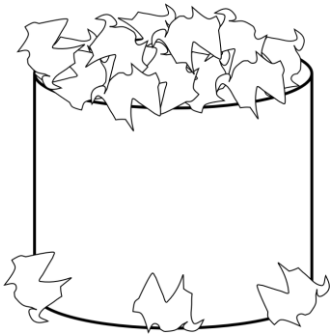
SUNK

sunk



BUNK

bunk



JUNK

junk



DUNK

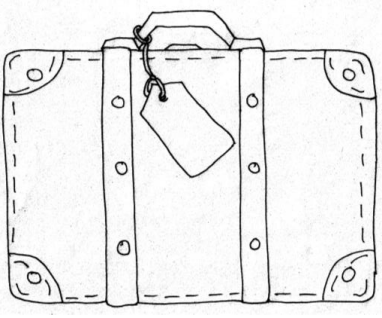
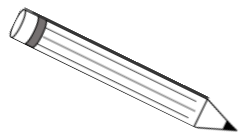
dunk

UNK

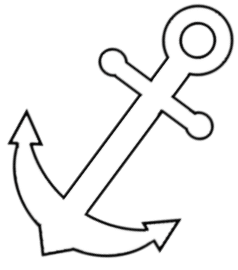
Name: _____

Date: _____

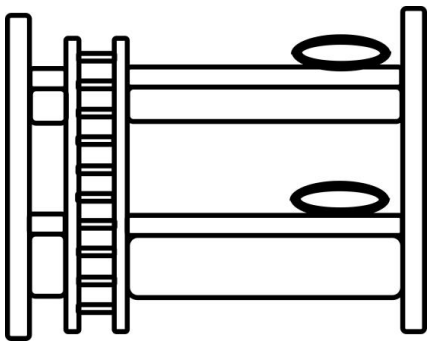
Write the word: one letter in each box.



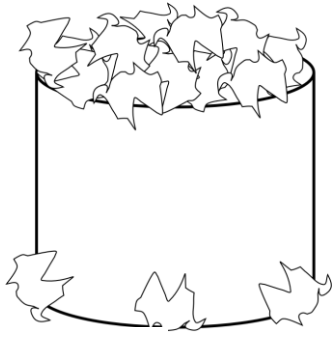
--	--	--	--	--



--	--	--	--



--	--	--	--



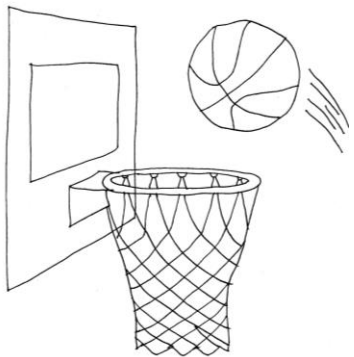
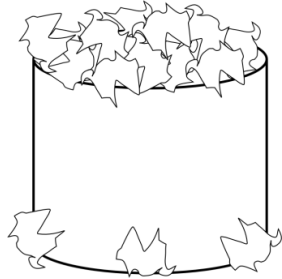
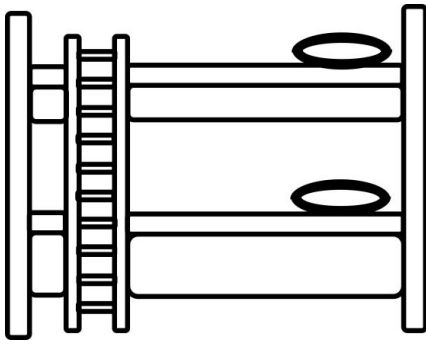
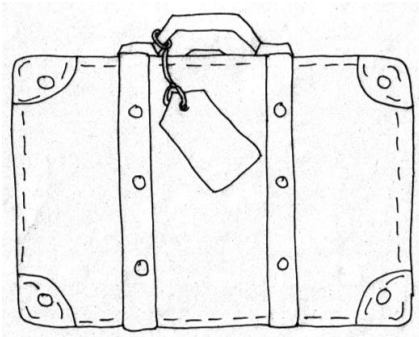
--	--	--	--



--	--	--	--

UNK

Cut out the word ending.



	unk
	unk
	unk
	unk
	unk

UNK

Cut out the word ending.



	b
	j
	d
	s
	tr

UNK

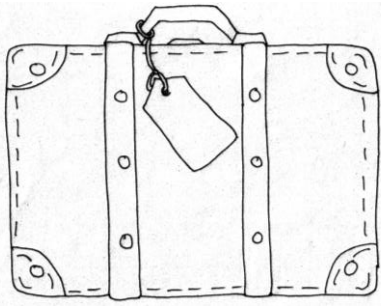
Name: _____

Date: _____

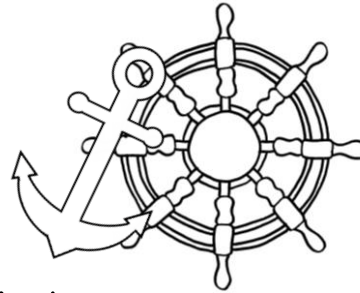
Color a star for each time the page is read.



My Best Dress



I did pack my trunk

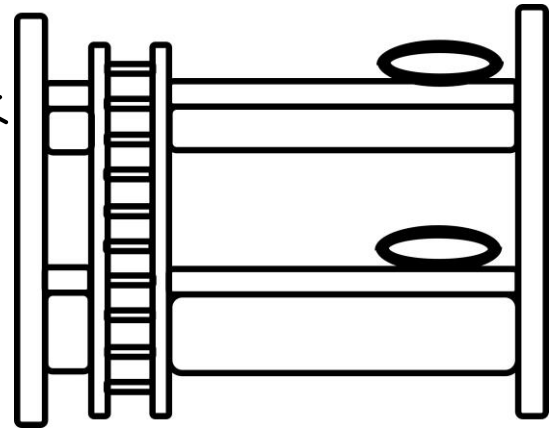


for a fun trip with my mom and dad. We went on

a big ship. The cabin had bunk

beds. When the bell rang, we

went on the deck and drank



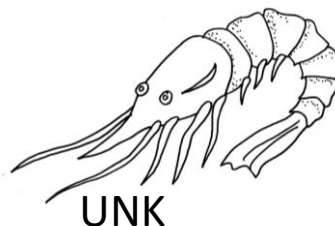
from pink cups. But in my cup there were shrimp

and squid. Yuck! I do not wish to have that junk!

I did try to dunk my cup in the trash, but it

went over the brink of the ship and now it has

sunk to the sand.



UNK

